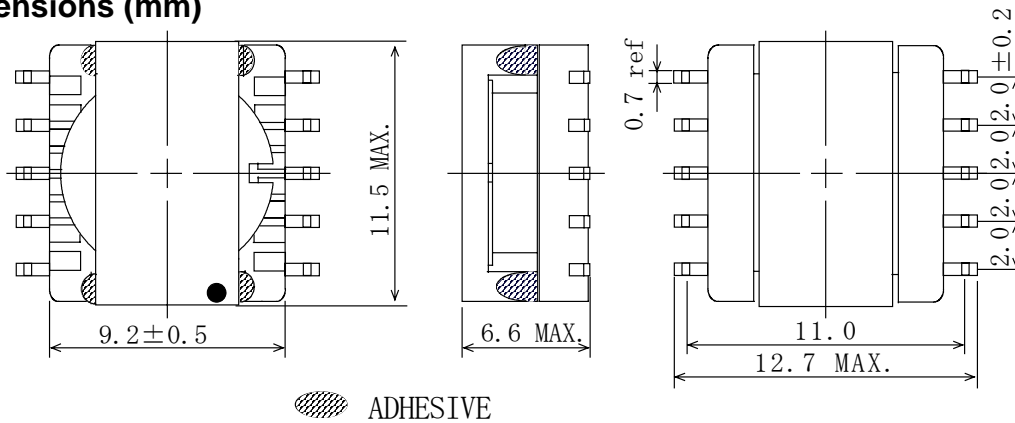
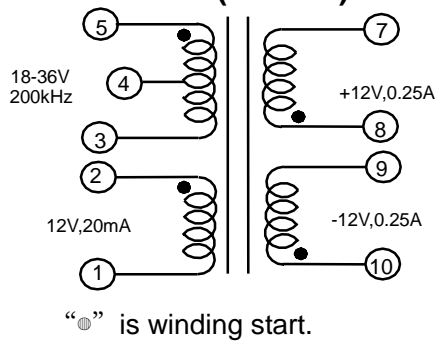
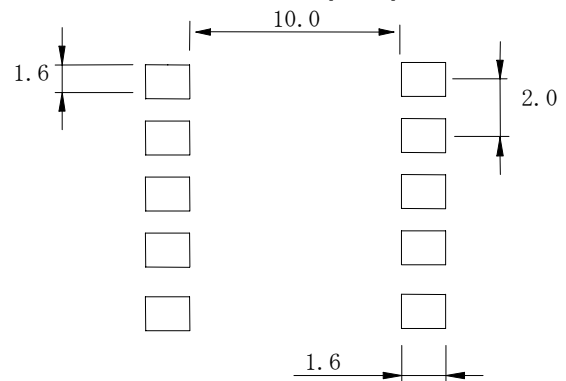


**Type: CER115**
**◆ Product Description**

- 11.5×12.7mm Max.(L×W), 6.6mm Max. Height.
- In addition to the typical versions of parameters shown here, custom parameters are available to meet your exact requirements


**◆ Feature**

- Max. Operating frequency 500KHz,Max. Operating Power 7.0W(500kHz).
- Ideally used in PoE transformer.
- RoHS Compliance

**◆ Dimensions (mm)**

**◆ Schematics (Bottom)**

**◆ Land Pattern (mm)**

**◆ Specification**

Sample No.	Turns Ratio (Pri:Sec:Aux)	Primary Inductance 100kHz/0.1V	Pri-Sec. Insulation	Leakage L (μH Max.)	D.C.R. (m Max.)			
					Pri.	Aux.	Sec.1	Sec.2
PS05-036	1:0.393:0.393	120 μH ± 15%	DC500V (0.5mA, 1s.)	2.5	490	1200	298	298